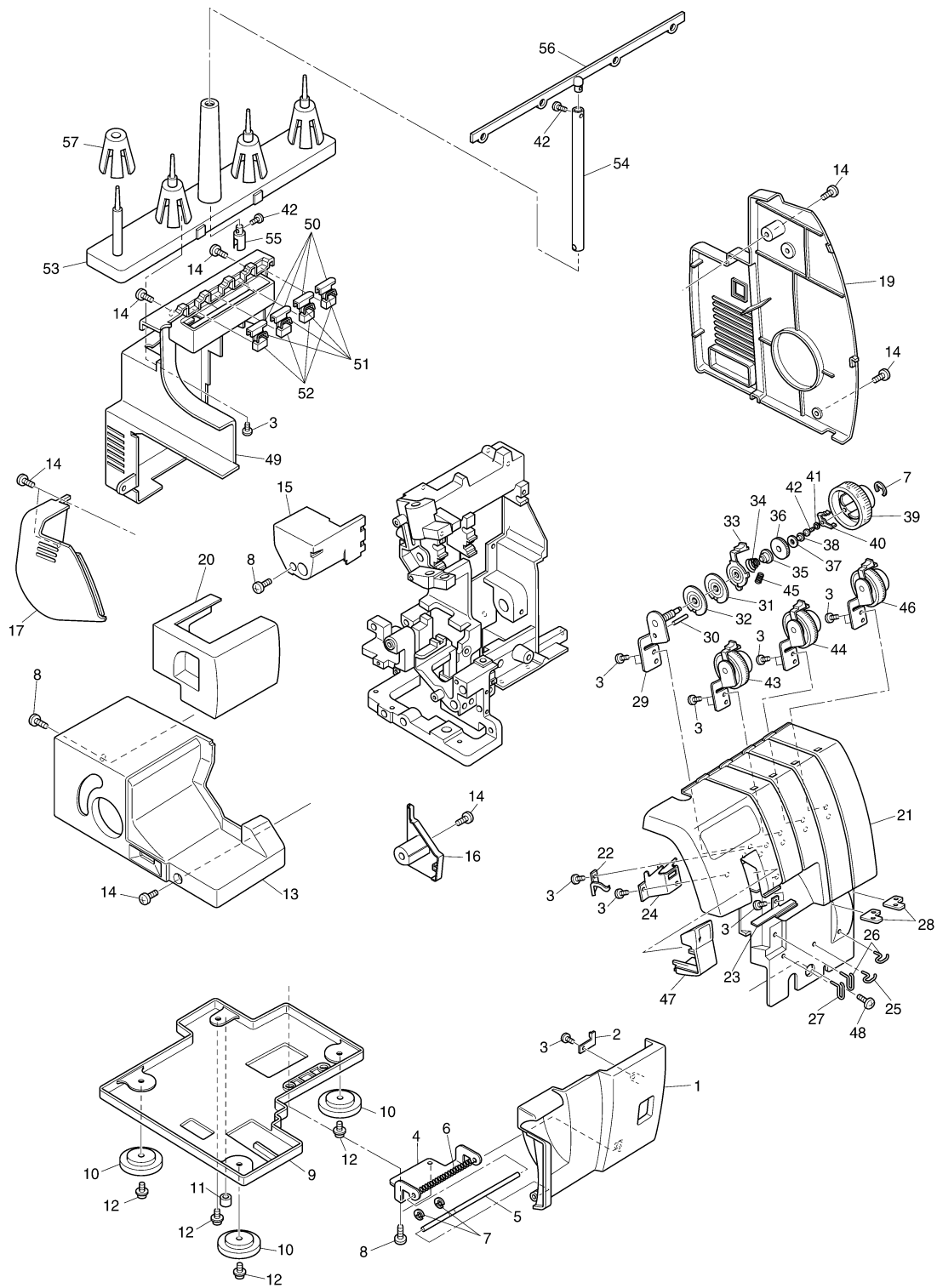


PARTS CATALOGUE FOR
HOMELock

MODEL 929D

CONTENTS

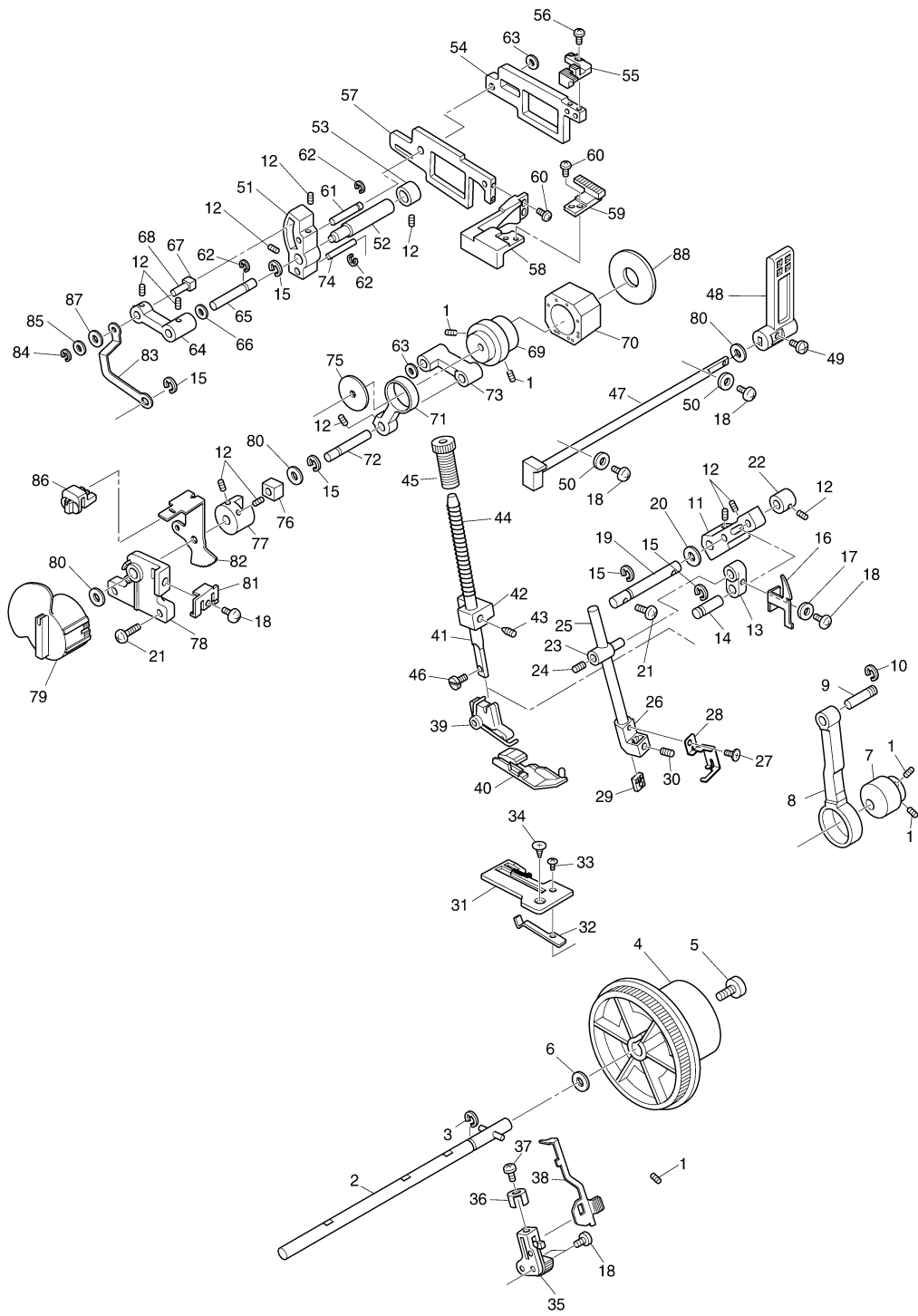
(1) PRINCIPAL PARTS	2
(2) NEEDLE BAR, FEED BAR AND PRESSER HOLDER	4
(3) KNIFE AND LOOPER	6
(4) LAMP, MOTOR AND ACCESSORY	8



(2) NEEDLE BAR, FEED BAR AND PRESSER HOLDER

No.	PARTS No.	PARTS NAME
1	012500632	Set screw
2	XB0299001	Driving shaft assembly
3	048080142	Stop ring
4	X77603001	Timing pulley
5	X77750001	Set screw
6	X77604000	Washer
7	X77608000	Needle bar eccentric wheel
8	138839000	Needle bar rod
9	138875001	Rod shaft
10	048060342	Stop ring
11	X77611000	Needle bar driving lever
12	014400422	Set screw
13	X77660000	Needle bar connecting link
14	X75217001	Needle bar rod shaft A
15	048050346	Stop ring
16	X77612001	Thread take-up
17	028040242	Spring washer
18	060400606	Set screw
19	XB0560000	Needle bar shaft
20	100197004	Washer
21	060401206	Set screw
22	X05286001	Collar
23	126656001	Needle bar connecting stud
24	014060632	Set screw
25	XB0672001	Needle bar CHG
26	XB0302001	Needle clamp
27	X76215001	Set screw
28	XB0303001	Needle bar thread guide
29	XB0304001	Needle presser
30	016400632	Set screw
31	XB0306001	Needle plate
32	X77618001	Fixed needle guard
33	004020506	Set screw
34	100032003	Set screw
35	XB0401001	Stitch holder assembly
36	X77092001	Stitch plate spring
37	062300406	Set screw
38	XB0309001	Stitch tongue
39	XB0311001	Presser holder assembly
40	XB0316001	Presser foot assembly
41	126660001	Presser bar
42	127198000	Presser bar guide bracket
43	100058003	Set screw
44	X77621001	Presser bar spring

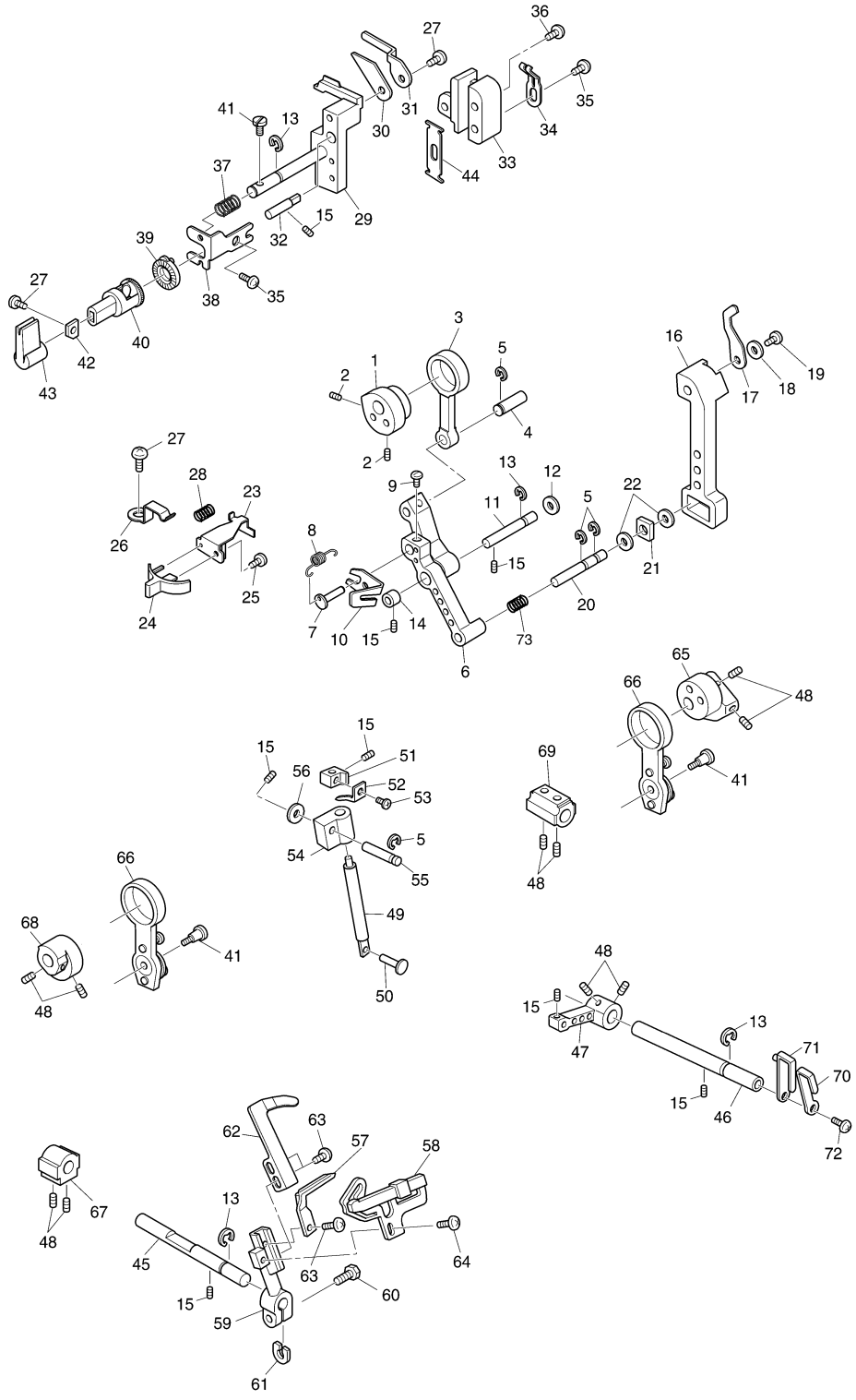
No.	PARTS No.	PARTS NAME
45	142860001	Presser adjusting screw
46	126851001	Set screw
47	X77622001	Presser lifter shaft assembly
48	X77625001	Presser foot lever
49	060300616	Set screw
50	025040332	Washer
51	X77628000	Feed bar lever
52	XB0320000	Feed bar lever shaft
53	X75150001	Collar
54	XB0321000	Main feed bar
55	XB0322001	Main feed dog
56	062300604	Set screw
57	XB0323000	Differential feed bar
58	XB0325000	Differential feed base
59	X77763001	Differential feed dog
60	060300806	Set screw
61	127784001	Overlooper shaft guide shaft
62	048040342	Stop ring
63	025050132	Washer
64	X77650000	Differential adjusting link
65	X76792001	Horizontal lever shaft
66	026060132	Washer
67	X77653000	Differential feed adjusting block
68	X77652000	Differential adjusting link shaft
69	X77634000	Feed eccentric wheel
70	X77736000	Vertical feed block
71	X77635000	Feed link
72	XB0526001	Feed link shaft
73	XB0472000	Feed bar link
74	XB0474001	Link shaft
75	XB0595001	Feed link guide
76	X77639000	Feed adjusting block
77	XB0559000	Feed adjusting lever
78	XB0328000	Feed base
79	XB0329001	Feed dial
80	X76687000	Wave washer
81	X77646001	Dial plate spring
82	XB0332001	Differential adjusting lever assembly
83	XB0334000	Differential adjusting link
84	048030342	Stop ring
85	025040232	Washer
86	XB0335001	Differential control lever
87	X76879000	Wave washer
88	XB0565001	Washer

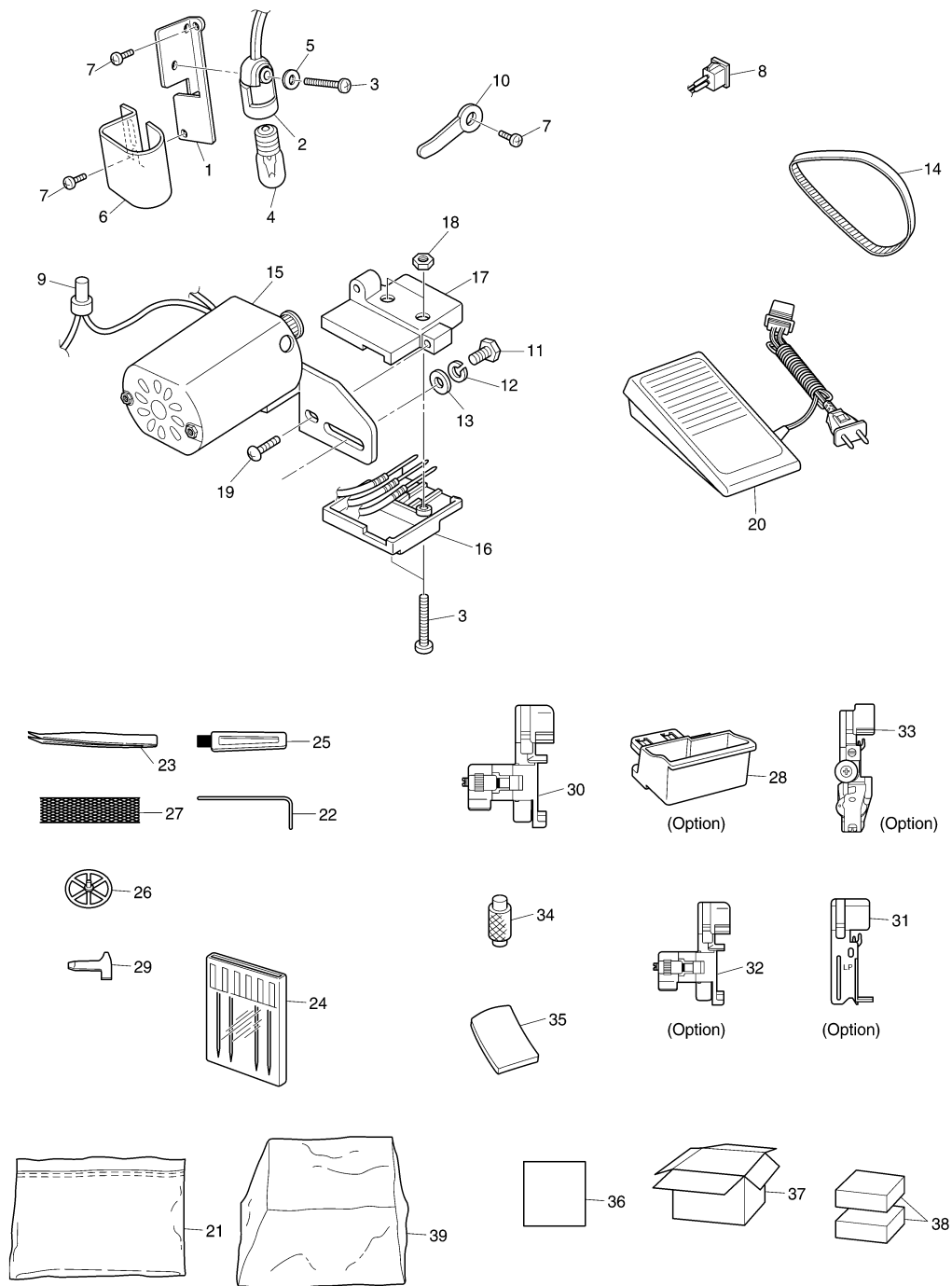


(3) KNIFE AND LOOPER

No.	PARTS No.	PARTS NAME
1	XB0337050	Upper knife eccentric wheel
2	012500632	Set screw
3	XB0338050	Upper knife link
4	XB0340051	Upper knife link shaft
5	048040342	Stop ring
6	XB0561051	Upper knife arm assembly
7	XB0346050	Connect pin
8	XB0347051	Connect pin spring
9	060300806	Set screw
10	XB0348051	Cancel plate
11	XB0343001	Upper knife fulcrum shaft
12	025080132	Washer
13	048060342	Stop ring
14	X75150001	Collar
15	014400422	Set screw
16	XB0356050	Upper knife holder
17	XB0563001	Upper blade
18	025040232	Washer
19	060400806	Set screw
20	XB0350051	Upper knife arm shaft
21	XB0351050	Upper blade block
22	026060132	Washer
23	XB0361051	Lever plate assembly
24	XB0364051	Blade lever
25	037300815	Set screw
26	XB0365051	Lever plate spring
27	060400606	Set screw
28	XB0573001	Lever spring
29	XB0368051	Lower blade holder
30	025040232	Washer
31	X77857001	Blade guide
32	X76737001	Lower blade guide shaft
33	XB0355050	Upper knife holder guide
34	XB0564051	Upper blade holder plate spring
35	060400416	Set screw
36	060401606	Set screw
37	XB0369051	Lower blade spring
38	XB0358051	Dial plate
39	XB0554051	Blade control dial plate
40	XB0357051	Blade control dial assembly
41	X75317001	Looper rod stud shaft
42	127254001	Plate nut
43	XB0528001	Stitch width lever
44	XB0571001	Upper knife presser plate

No.	PARTS No.	PARTS NAME
45	XB0532000	Lever plate shaft
46	X77685000	Looper lever shaft
47	X77689000	Overlooper shaft lever
48	012500632	Set screw
49	127786001	Overlooper shaft
50	127785001	Overlooper lower shaft
51	X77772000	Overlooper base
52	X77781001	Overlooper
53	004300416	Set screw
54	X76766001	Overlooper shaft guide
55	127784001	Overlooper shaft guide shaft
56	025710235	Washer
57	X77774001	Underlooper
58	X77775001	Underlooper thread guide base assembly
59	XB0641001	Underlooper lever
60	017501615	Set screw
61	X05281001	Washer
62	XB0371001	Movable needle guard
63	062300604	Set screw
64	060300616	Set screw
65	XB0597000	Overlooper rod eccentric wheel
66	X77559001	Looper rod assembly
67	X77694000	Overlooper driving lever
68	XB0375000	Underlooper rod eccentric wheel
69	XB0531000	Underlooper driving lever
70	X77726001	Looper thread take-up A
71	X77727001	Looper thread take-up B
72	X75721001	Set screw
73	XB0615001	Spring





929D
H7120121